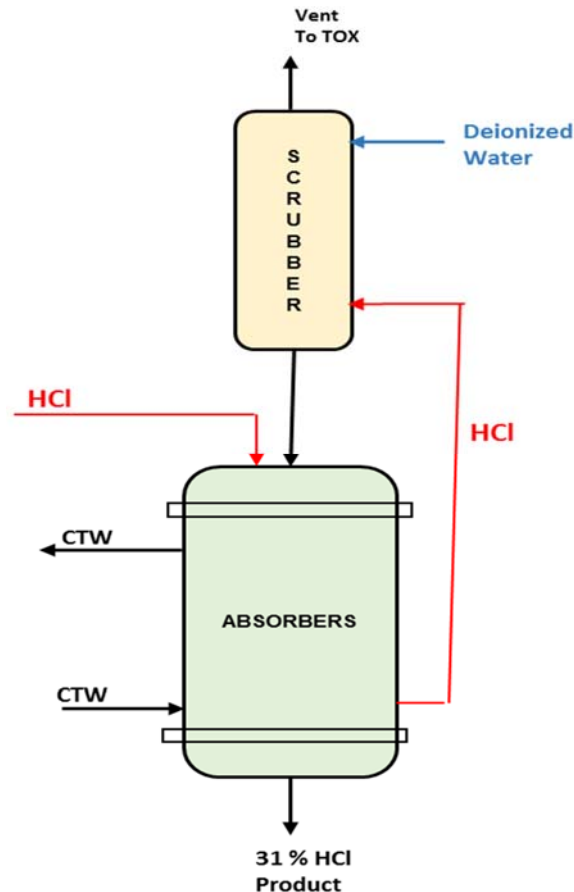


HYDROCHLORIC ACID ADSORPTION TECHNOLOGY



NEWS: November 22, 2014

Enex International announces completion of a Basic Engineering Design Package (BEDP) for a 150 kta 31% aqueous HCl Plant for China location.



For Information Regarding HCl Absorption Technology Contact:



ENEX INTERNATIONAL INC.
811 Bradford, Suite 8A
P.O. Box 519
Kemah, TX 77565

**Tel: 281-532-6957
713-515-0035**

**E-Mail
Contact@EnexInternational.com**